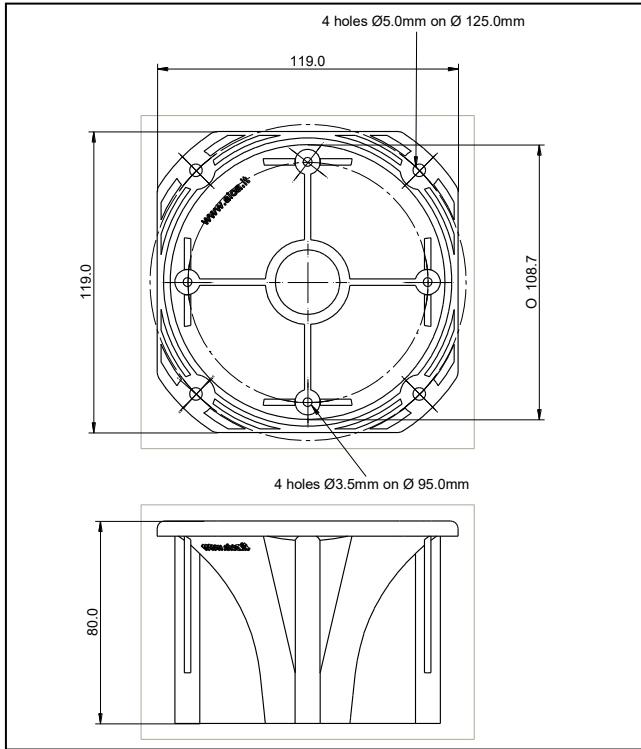
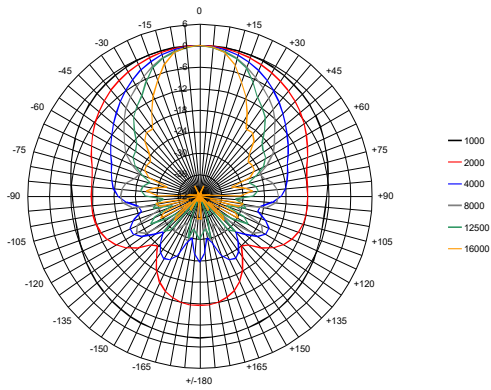


Horn - Code Q07032B

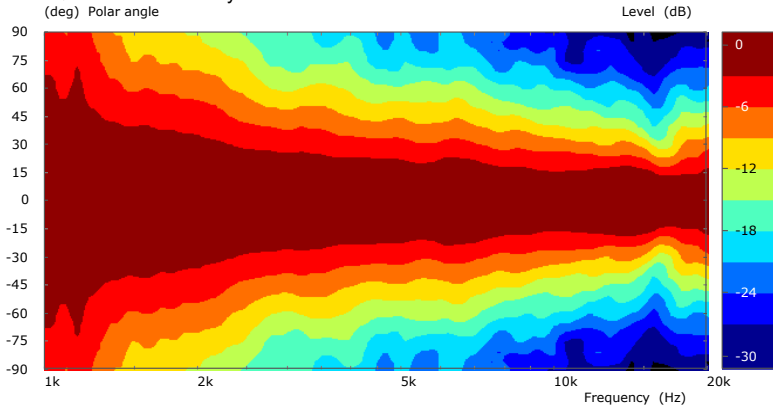
SPECIFICATIONS		
Throat Diameter	25.4	mm (1")
Cutoff Frequency	2.0	Hz
Net Weightl.....	0.10	Kg
Horizontal coverage	80°	
Vertical coverage	80°	
Material	Plastic	
Shape.....	Round (Square contour)	
MOUNTING INFORMATION		
Overall Dimensions	119x119x80 mm	
Baffle Cutout Dimensions.....	Φ109 mm	
Mounting Holes.....	4 holes Φ5.0 mm	
NOTE		
use a 4.2 mm self-tapping screw for coupling with the driver		



Q07032B Polar Pattern



Q07032B - Directivity
(deg) Polar angle



Due to improvement, the features subject to change without notice.

continuing product and the design are 23/12/25