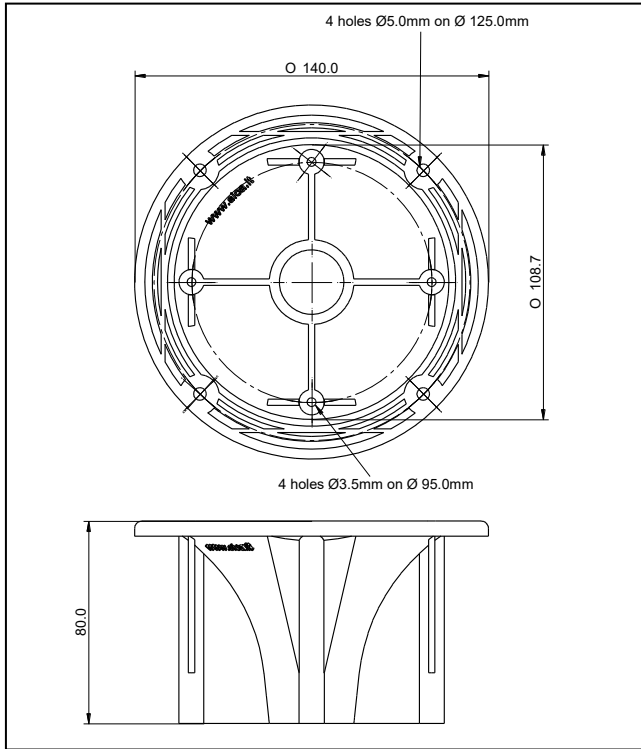
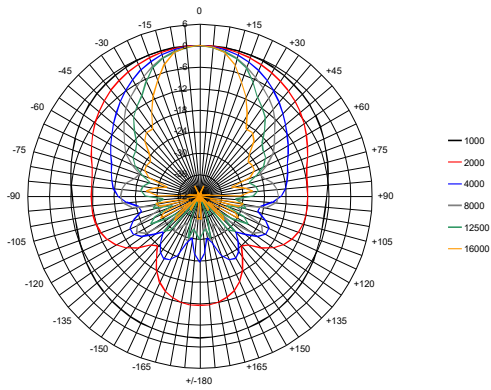


## Horn - Code Q07030A

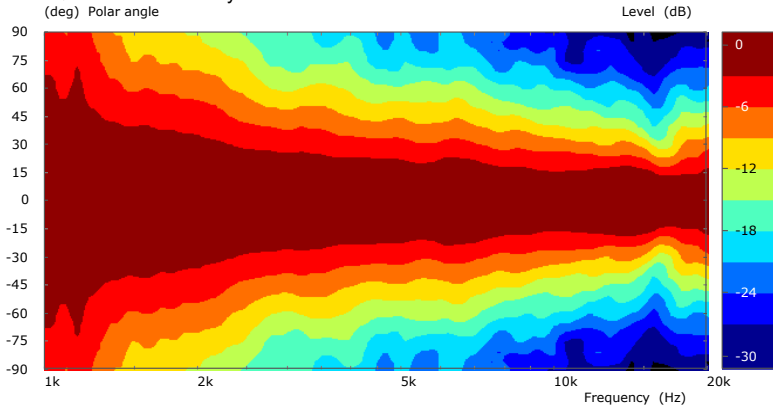
SPECIFICATIONS		
Throat Diameter .....	25.4	mm (1")
Cutoff Frequency .....	2.0	Hz
Net Weightl.....	0.10	Kg
Horizontal coverage .....	80°	
Vertical coverage .....	80°	
Material .....	Plastic	
Shape.....	Round	
MOUNTING INFORMATION		
Overall Dimensions .....	Φ140x80 mm	
Baffle Cutout Dimensions.....	Φ109 mm	
Mounting Holes.....	4 holes Φ5.0 mm	
NOTE		
use a 4.2 mm self-tapping screw for coupling with the driver		



Q07030A Polar Pattern



Q07030A - Directivity (deg) Polar angle



Due to improvement, the features subject to change without notice.

continuing product and the design are 23/12/25