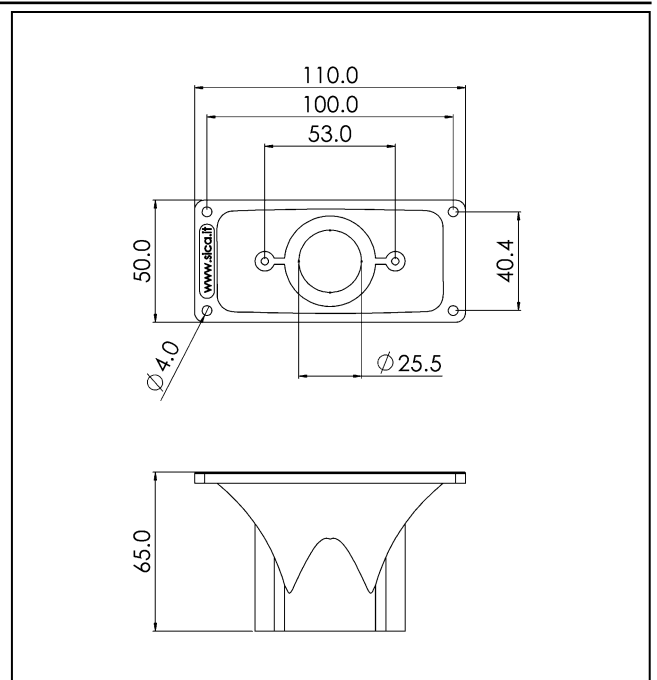
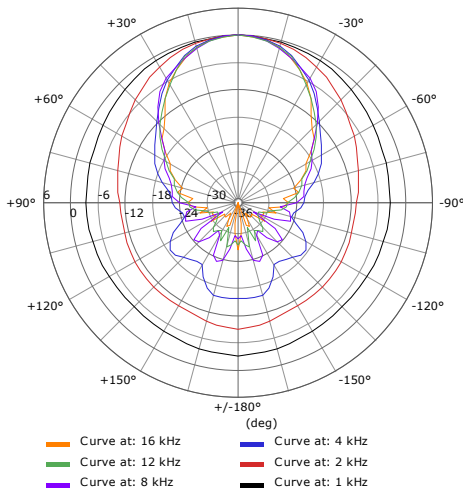


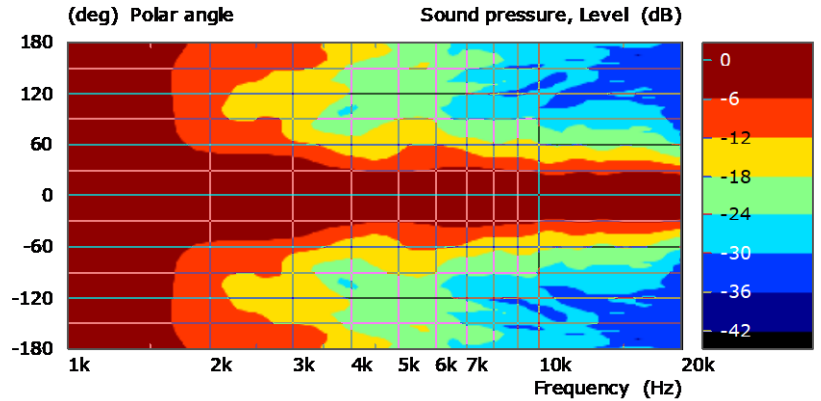
SPECIFICATIONS		
Throat Diameter	25.5	mm (1")
Cutoff Frequency	2.5	kHz
Net Weight	0.04	Kg
Horizontal coverage	70°	
Vertical coverage	100°	
Material	ABS	
Shape	Rectangular	
MOUNTING INFORMATION		
Overall Dimensions	110x50x65	mm
Baffle Cutout Dimensions	92x43	mm
Driver Mounting Holes	2 holes $\Phi 3$	on $\Phi 53$ mm
Baffle Mounting Holes	4 holes $\Phi 4$	mm
NOTE		
For mating with the driver, use a 4.2 mm self-tapping screw.		



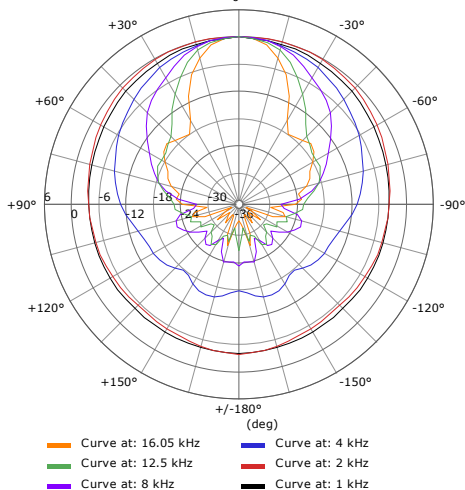
Q07025A Horizontal Polar Pattern
Level (dB)



Q07025A Horizontal Polar Pattern
(deg) Polar angle



Q07025A Vertical Polar Pattern
Level (dB)



Q07025A Vertical Polar Pattern
(deg) Polar angle

