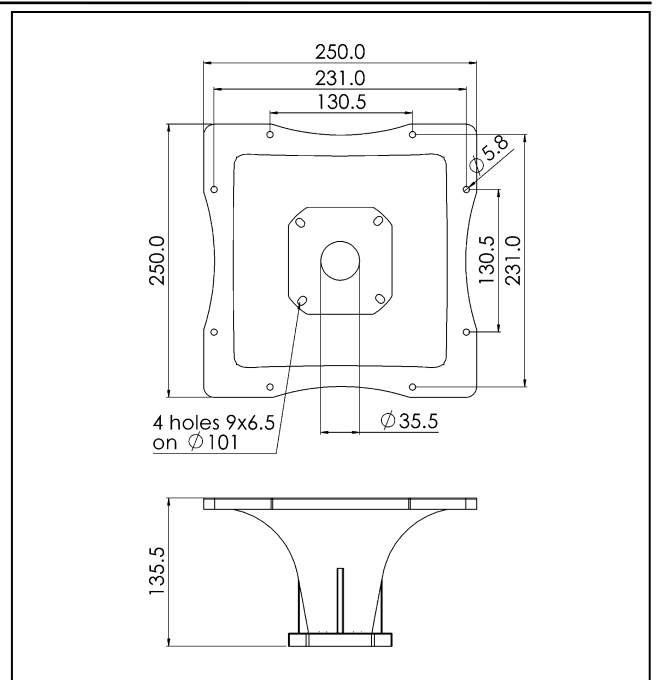
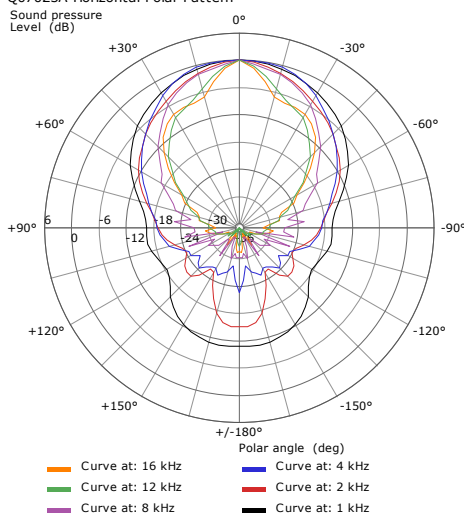


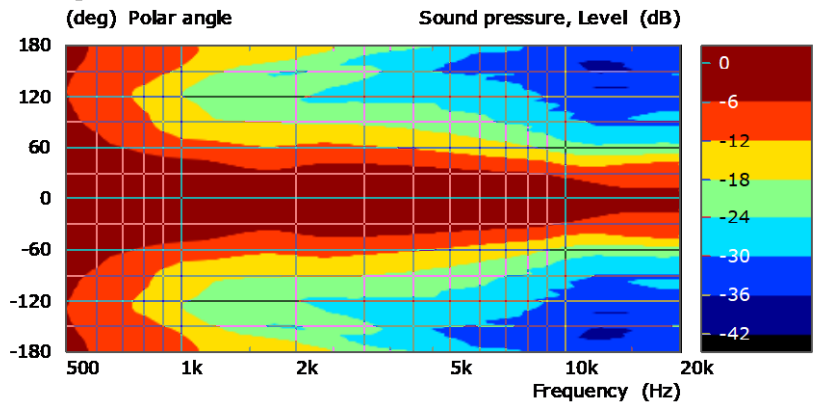
SPECIFICATIONS		
Throat Diameter	35.5	mm (1.4")
Cutoff Frequency	0.6	kHz
Net Weight	0.84	Kg
Horizontal coverage	80°	
Vertical coverage	60°	
Material	ABS+Fiberglass	
Shape	Square	
MOUNTING INFORMATION		
Overall Dimensions	250x250x135.5 mm	
Baffle Cutout Dimensions	200x200 mm	
Driver Mounting Holes	4 holes 9x6.5 on Φ 101mm	
Baffle Mounting Holes	8holes Φ 5.8 mm	
NOTE		



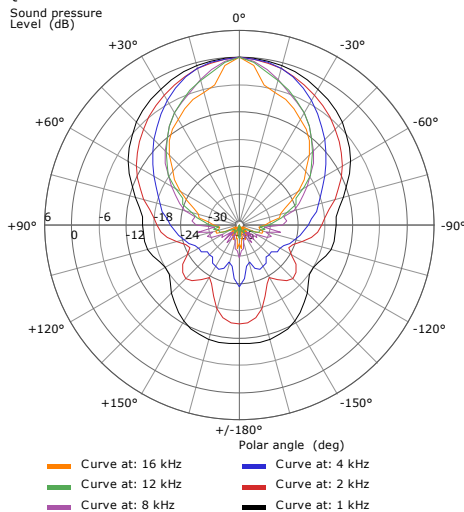
Q07023A Horizontal Polar Pattern



Q07023A Horizontal Polar Pattern



Q07023A Vertical Polar Pattern



Q07023A Vertical Polar Pattern

