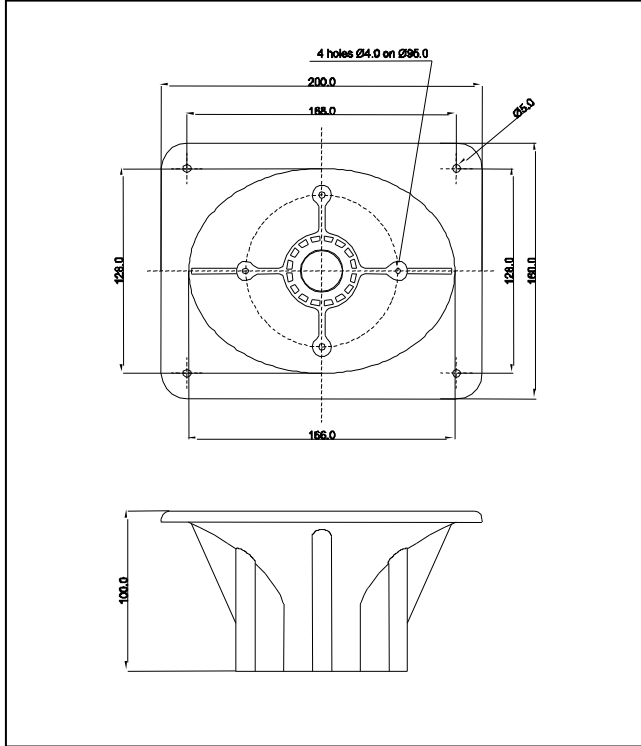
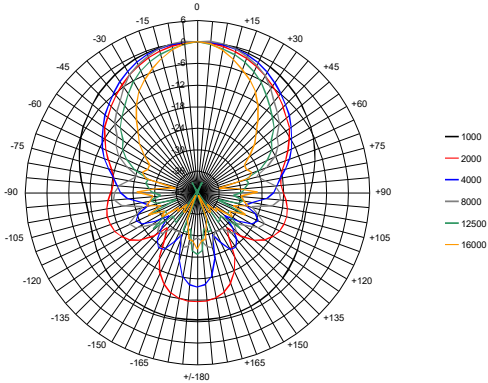


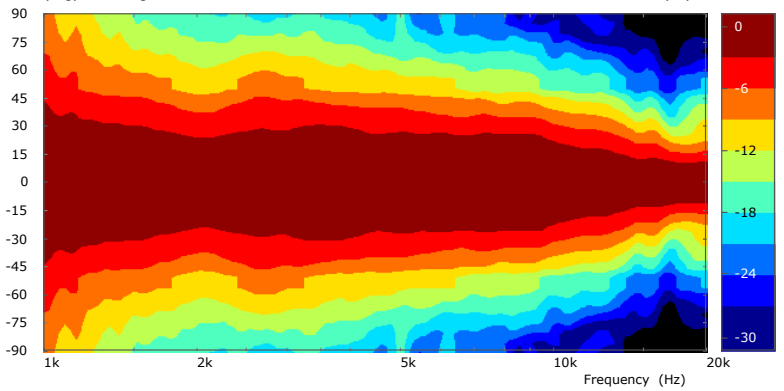
SPECIFICATIONS		
Throat Diameter	25.4	mm (1")
Cutoff Frequency	1.50	kHz
Net Weightl.....	0.30	Kg
Horizontal coverage	90°	
Vertical coverage	60°	
Material	Plastic	
Shape.....	Elliptic	
MOUNTING INFORMATION		
Overall Dimensions	200x160x100 mm	
Baffle Cutout Dimensions.....	167x129 mm	
Mounting Holes.....	4 holes Ø5.0 mm	
NOTE		
use a 4.2 mm self-tapping screw for coupling with the driver		



Q07020A Horizontal Polar Pattern



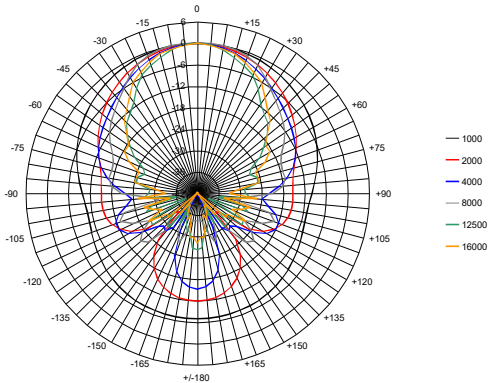
Q07020A - Horizontal Directivity



Due to continuing product improvement, the features and the design are subject to change without notice.

23/12/25

Q07020A Vertical Polar Pattern



Q07020A - Vertical Directivity

