

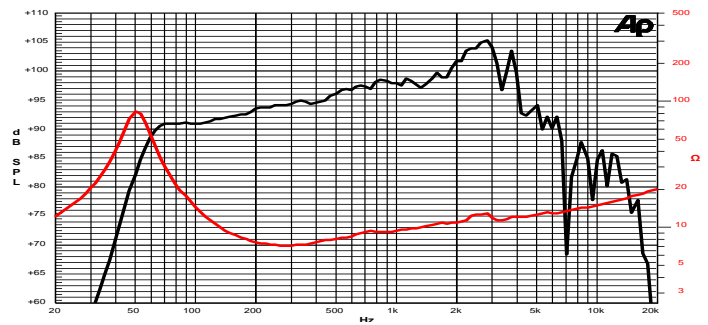
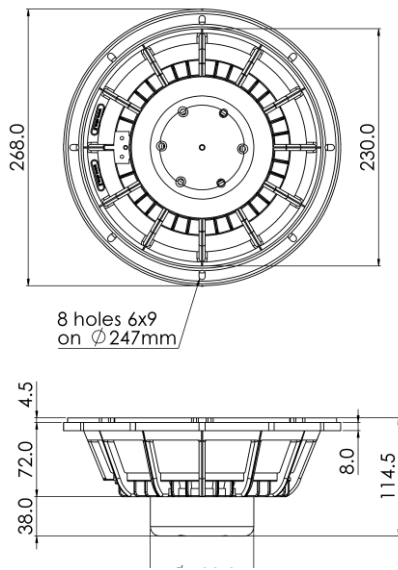
10 K 3 PL 8Ω

10" | 800 W

Code **Z005840**

Professional

- SNDW** 3" Sandwich voice coil Kapton former and Aluminium Winding
- PS** Konex Spider with Progressive Waves
- DAR** Cloth surround with Double Asymmetric Rolls Technology (DAR)
- AWpT** Autoclave Waterproof Cone Treatment
- CDR** Neodymium Magnet Circuit with Copper Demodulating Ring
- VMVc** Ventilated Magnet and Voice Coil to reduce Power Compression
- 96.7 dB sensitivity
- Frequency Range 50-3000 Hz



Frequency Response on 35 Lt @ 60 Hz Vented Box @ 1W, 1m
Free Air Impedance

General Specifications

Nominal Diameter	268 mm (10")
Nominal Impedance	8 Ω
Rated Power AES ⁽¹⁾	400 W
Continuous Program Power ⁽²⁾	800 W
Sensitivity @ 1W/1m ⁽³⁾	96.7 dB
Voice Coil Diameter	75 mm (3")
Voice Coil Winding Depth	20 mm
Magnetic Gap Depth	10 mm
Flux Density	1.20 T
Magnet Weight	360 g
Net Weight	2.8 kg

Thiele & Small Parameters ⁽⁴⁾

R_e	5.2 Ω	F_s	50.6 Hz
Q_{ms}	5.02	Q_{es}	0.27
Q_{ts}	0.26	M_{ms}	42.1 g
C_{ms}	235 μm/N	B_{xl}	16.05 Tm
V_{as}	40.0 l	S_d	346.4 cm ²
$X_{max}^{(5)}$	+/-6.5 mm	$X_{var}^{(6)}$	+/-8.5 mm
η_0	1.85 %	L_e (1kHz)	0.49 mH

Constructive Characteristics

Magnet	Neodymium
Basket Material	Aluminium Die-Cast
Voice Coil Winding Material	Aluminium
Voice Coil Former Material	Kapton
Cone Material	Paper
Cone Treatment	Humidity Resistant Pulp
Surround Material	Treated Cloth
Dust Dome Material	Solid Paper

Mounting Information

Overall Diameter	268 mm
Baffle Cutout Diameter	232 mm
Mounting Holes	8 holes 6x9 on \varnothing 247 mm
Total Depth	114.5 mm

(1) Rated Power measured with 2-hour test with pink noise signal, 6dB crest factor, loudspeaker in free air, power calculated on rated Zmin. (2) Power on Continuous Program is defined as 3dB greater than the Rated Power. (3) Calculated by Thiele & Small parameters, for SPL average in box refer to frequency response. (4) Thiele & Small parameters measured with laser system after preconditioning test. (5) Measured with respect to a THD of 10%. (6) Value corresponding to a decay of the Force Factor, or Compliance, or both, equal to the 50% of the small signal value. (7) Drawing dimensions: mm.