

**LOWS:** Tight  
**MIDS:** Punchy  
**HIGHS:** Clear  
**OVERDRIVE:** Crunchy

## Sound Features:

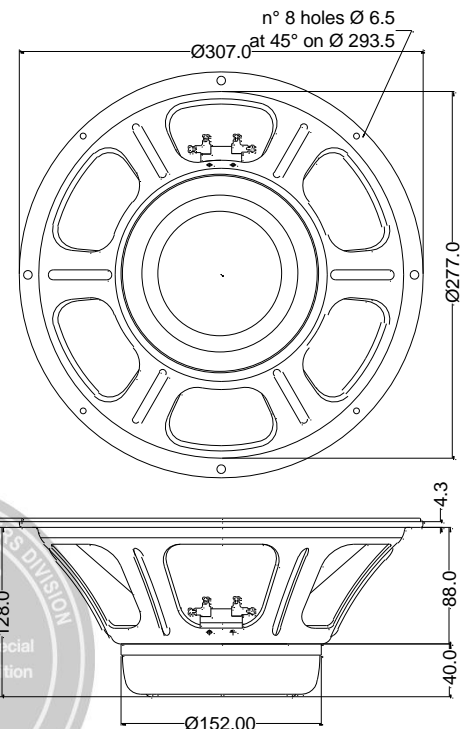
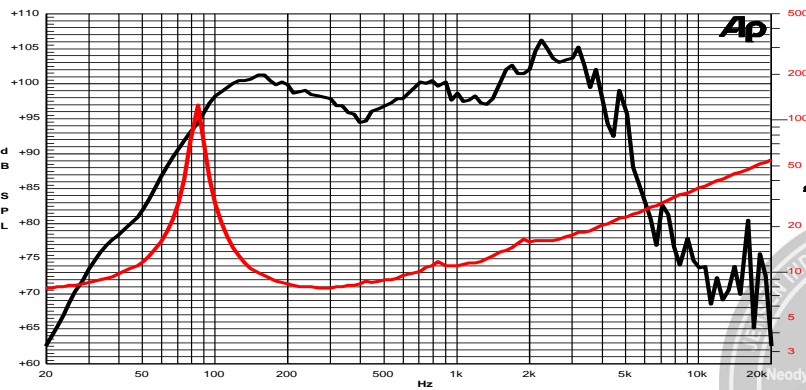
### Guitarist Description:

The Tornado Special Edition features a new voicing, designed for the most contemporary tones, with tight, powerful bass, punchy midrange and a well-balanced presence in the top end. Clear and detailed with cleans tones, its response is custom tailored for an optimal rendition with lead overdriven sounds.

Specifications	
Nominal Diameter	307 mm (12")
Nominal Impedance	8 Ω
Rated Power AES <sup>(1)</sup>	100 W
Continuous Program Power <sup>(2)</sup>	200 W
Sensitivity @ 1W/1m	97.1 dB
Voice Coil Diameter	50 mm
Voice Coil Winding Depth	11 mm
Magnetic Gap Depth	8 mm
Flux Density	1.20 T
Magnet Weight	160 g
Net Weight	2.0 kg

Thiele & Small Parameters <sup>(3)</sup>			
Re	6.70 Ω	Fs	85.4 Hz
Qms	13.27	Mms	34.7 g
Qts	0.77	Bxl	12.28 Tm
Cms	102 μm/N	Sd	490.9 cm <sup>2</sup>
Vas	34.7 l	Le (1kHz)	0.72 mH

Constructive Characteristics	
Magnet	Neodymium
Basket Material	Pressed Sheet Steel
Voice Coil Winding Material	Copper
Voice Coil Former Material	Kapton
Cone Material	Paper
Surround Treatment	Yes
Surround Material	Paper - Integrated
Dust Dome Material	Non Treated Cloth



- Note:
- 1: Rated Power measured with 2 hours test with pink noise signal, 6dB crest factor, loudspeaker mounted on enclosure
  - 2: Power on Continuous Program is defined as 3 dB greater than the Rated Power
  - 3: Thiele & Small parameters measured with laser system without preconditioning test
  - 4: Drawing dimensions: mm
  - 5: The notch around 400Hz on the frequency response is typical of the measurement on IEC baffle