

LOWS: Balanced
MIDS: Vocal
HIGHS: Smooth
OVERDRIVE: Fat

Sound Features:

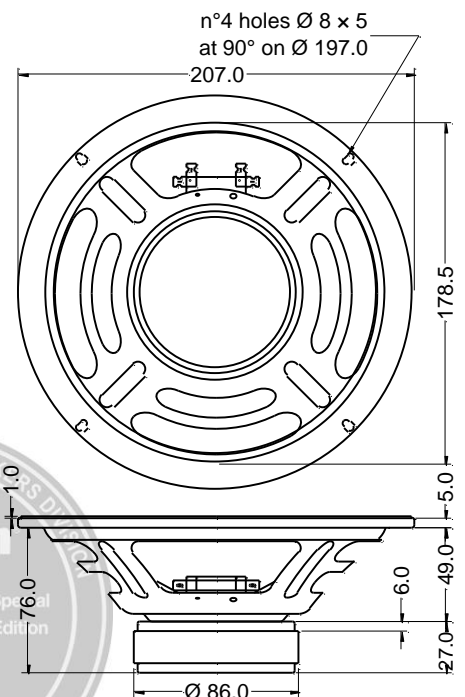
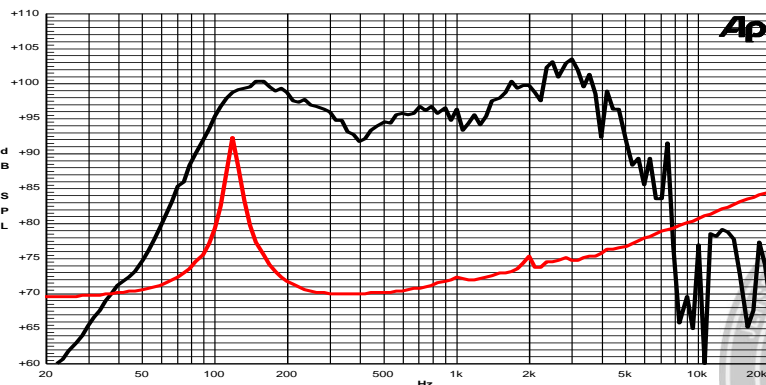
Guitarist Description:

Firmly rooted in the American tradition, with a notable sensitivity and firmness, the Falcon 8/30 offers a smooth response with both clean and pushed tones. The carefully tailored top end, and the strong, firm low-mid and bass response, deliver a powerful yet immediate tone.

Specifications	
Nominal Diameter	207 mm (8")
Nominal Impedance	8 Ω
Rated Power AES ⁽¹⁾	30 W
Continuous Program Power ⁽²⁾	60 W
Sensitivity @ 1W/1m	96.1 dB
Voice Coil Diameter	25 mm
Voice Coil Winding Depth	7 mm
Magnetic Gap Depth	6 mm
Flux Density	1.21 T
Magnet Weight	380 g
Net Weight	1.1 kg

Thiele & Small Parameters ⁽³⁾			
Re	6.20 Ω	Fs	126.0 Hz
Qms	14.22	Mms	9.6 g
Qts	1.01	Bxl	6.57 Tm
Cms	167 μm/N	Sd	213.8 cm ²
Vas	10.8 l	Le (1kHz)	0.23 mH

Constructive Characteristics	
Magnet	Ferrite
Basket Material	Pressed Sheet Steel
Voice Coil Winding Material	Copper
Voice Coil Former Material	Epotex
Cone Material	Paper
Surround Treatment	Yes
Surround Material	Paper - Integrated
Dust Dome Material	Non Treated Cloth



- Note:
- 1: Rated Power measured with 2 hours test with pink noise signal, 6dB crest factor, loudspeaker mounted on enclosure
 - 2: Power on Continuous Program is defined as 3 dB greater than the Rated Power
 - 3: Thiele & Small parameters measured with laser system without preconditioning test
 - 4: Drawing dimensions: mm
 - 5: The notch around 400Hz on the frequency response is typical of the measurement on IEC baffle

