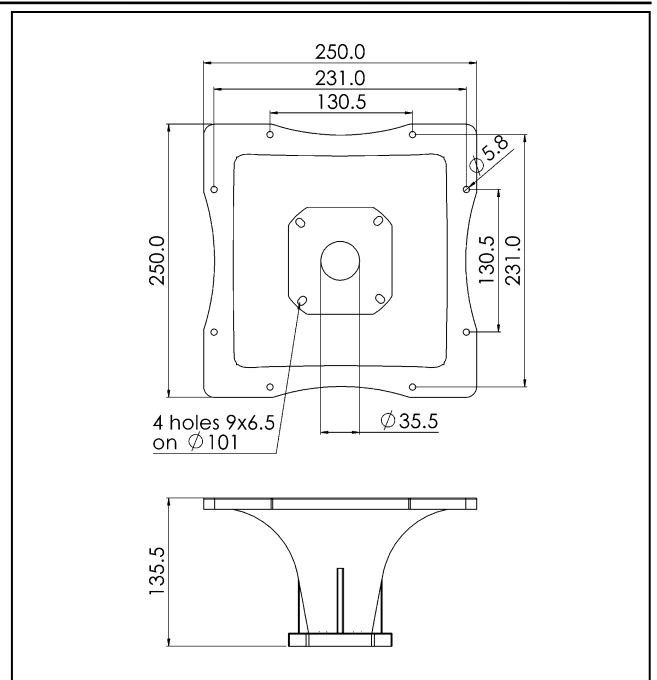
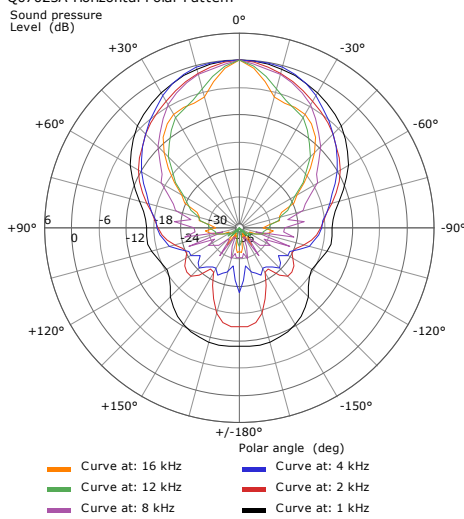


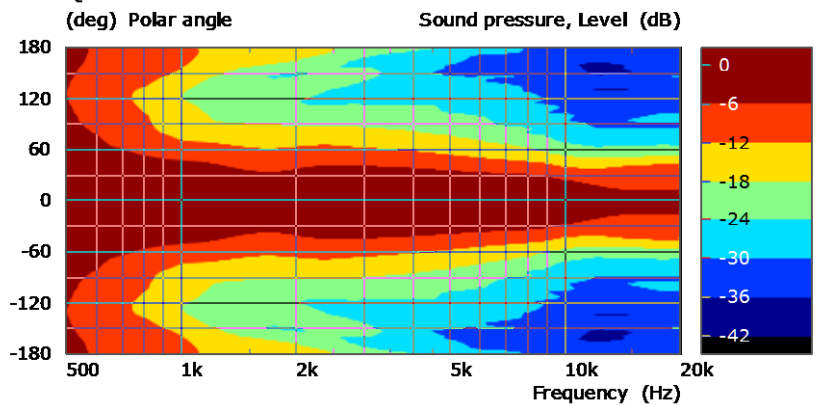
SPECIFICATIONS		
Throat Diameter .....	35.5	mm (1.4")
Cutoff Frequency .....	0.6	kHz
Net Weight .....	0.84	Kg
Horizontal coverage .....	80°	
Vertical coverage .....	60°	
Material .....	ABS+Fiberglass	
Shape .....	Square	
MOUNTING INFORMATION		
Overall Dimensions .....	250x250x135.5 mm	
Baffle Cutout Dimensions .....	200x200 mm	
Driver Mounting Holes .....	8 holes 9x6.5 on $\Phi$ 101mm	
Baffle Mounting Holes .....	8holes $\Phi$ 5.8 mm	
NOTE		



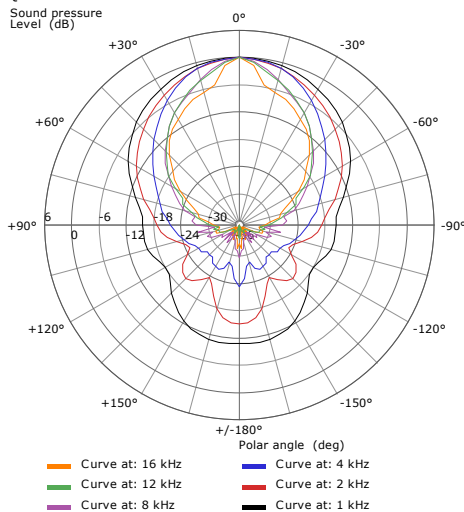
Q07023A Horizontal Polar Pattern



Q07023A Horizontal Polar Pattern



Q07023A Vertical Polar Pattern



Q07023A Vertical Polar Pattern

