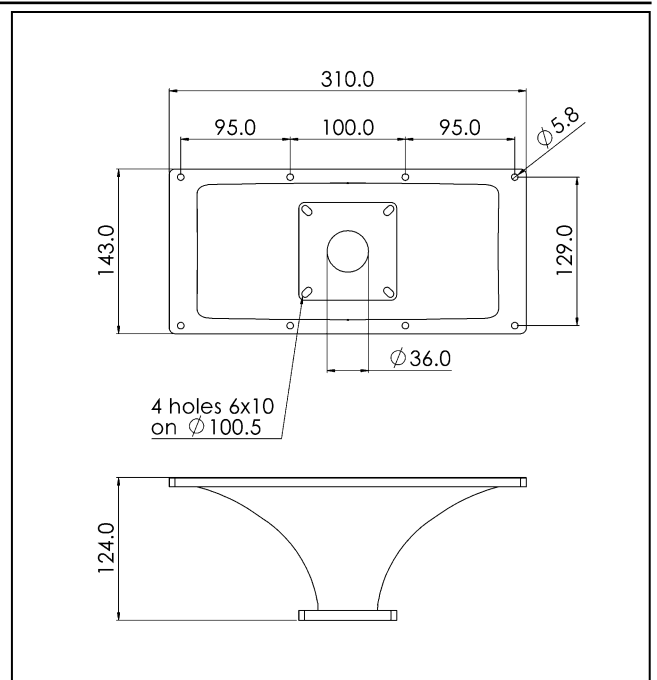
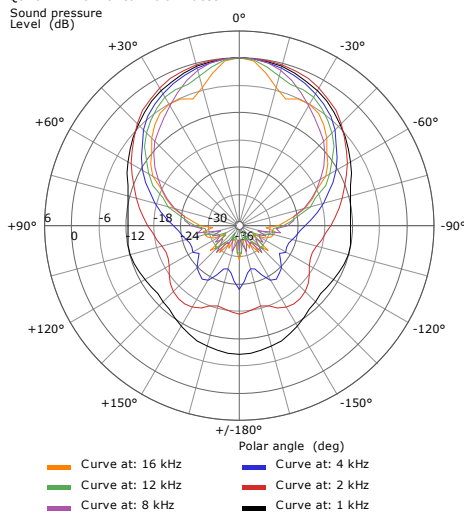


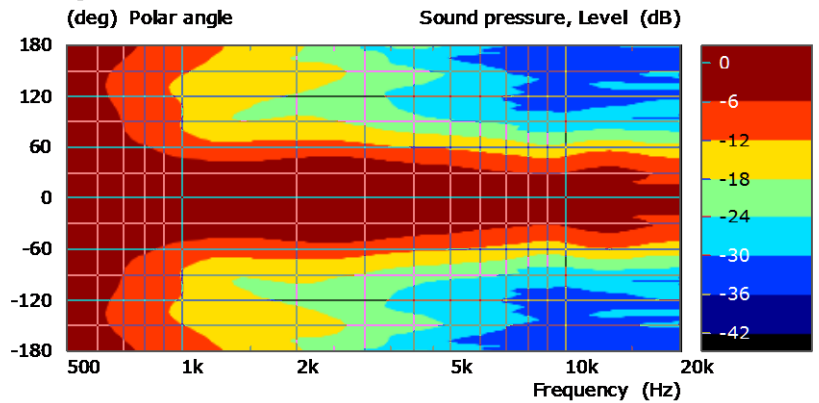
SPECIFICATIONS		
Throat Diameter	36.0	mm (1.4")
Cutoff Frequency	0.8	kHz
Net Weight	0.46	Kg
Horizontal coverage	80°	
Vertical coverage	50°	
Material	ABS+Fiberglass	
Shape	Rectangular	
MOUNTING INFORMATION		
Overall Dimensions	310x143x124 mm	
Baffle Cutout Dimensions.....	223.5x115 mm	
Driver Mounting Holes.....	4 holes 10x6 on Φ 100.5mm	
Baffle Mounting Holes.....	8holes Φ 5.8 mm	
NOTE		



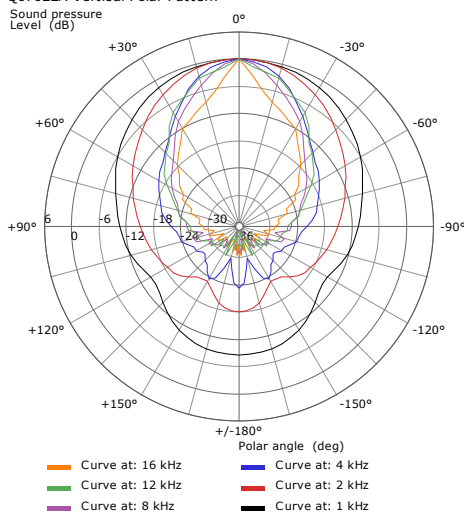
Q07022A Horizontal Polar Pattern



Q07022A Horizontal Polar Pattern



Q07022A Vertical Polar Pattern



Q07022A Vertical Polar Pattern

