

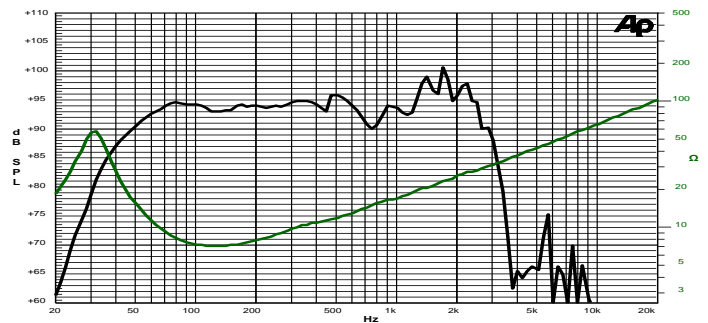
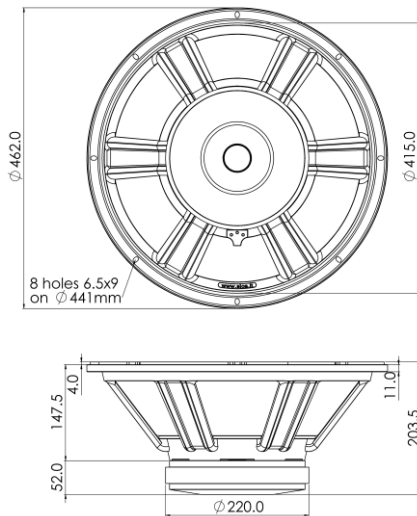
## 18 S 4 CP 8Ω

18" | 2400 W

Code **Z008401**

Subwoofer

- SNDW** 4" Sandwich voice coil Fiberglass former
- DCS** Double Cross Spider (DCS) with Progressive Waves
- DAR** Cloth surround with Double Asymmetric Rolls Technology (DAR)
- AWpT** Autoclave Waterproof Cone Treatment
- Ferrite Magnet Circuit**
- VMVc** Ventilated Magnet and Voice Coil to reduce Power Compression
- 97.1 dB sensitivity**
- Frequency Range 30-700 Hz**



Frequency Response on 150 Lt @ 38 Hz Vented Box @ 1W, 1m  
Free Air Impedance

### General Specifications

Nominal Diameter	463 mm (18")
Nominal Impedance	8 Ω
Rated Power AES <sup>(1)</sup>	1200 W
Continuous Program Power <sup>(2)</sup>	2400 W
Sensitivity @ 1W/1m <sup>(3)</sup>	97.1 dB
Voice Coil Diameter	100 mm (4")
Voice Coil Winding Depth	27 mm
Magnetic Gap Depth	12 mm
Flux Density	1.15 T
Magnet Weight	3300 g
Net Weight	14.2 kg

### Thiele & Small Parameters <sup>(4)</sup>

$R_e$	5.2 Ω	$F_s$	33.0 Hz
$Q_{ms}$	3.94	$Q_{es}$	0.39
$Q_{ts}$	0.35	$M_{ms}$	198.6 g
$C_{ms}$	117 μm/N	$B_{xl}$	23.50 Tm
$V_{as}$	225 l	$S_d$	1164.2 cm <sup>2</sup>
$X_{max}^{(5)}$	+/- 11.0 mm	$X_{var}^{(6)}$	+/- 12.0 mm
$\eta_o$	2.01 %	$L_e$ (1kHz)	1.81 mH

### Constructive Characteristics

Magnet	Ferrite
Basket Material	Aluminium Die-Cast
Voice Coil Winding Material	Copper
Voice Coil Former Material	Fiberglass
Cone Material	Paper
Cone Treatment	Humidity Resistant Pulp
Surround Material	Treated Cloth
Dust Dome Material	Solid Paper

### Mounting Information

Overall Diameter	462 mm
Baffle Cutout Diameter	417 mm
Mounting Holes	8 holes 6,5x9 on ø441 mm
Total Depth	203.5 mm

<sup>(1)</sup> Rated Power measured with 2-hour test with pink noise signal, 6dB crest factor, loudspeaker in free air, power calculated on rated Zmin. <sup>(2)</sup> Power on Continuous Program is defined as 3dB greater than the Rated Power. <sup>(3)</sup> Calculated by Thiele & Small parameters, for SPL average in box refer to frequency response. <sup>(4)</sup> Thiele & Small parameters measured with laser system after preconditioning test. <sup>(5)</sup> Measured with respect to a THD of 10%. <sup>(6)</sup> Value corresponding to a decay of the Force Factor, or Compliance, or both, equal to the 50% of the small signal value. <sup>(7)</sup> Drawing dimensions: mm.