

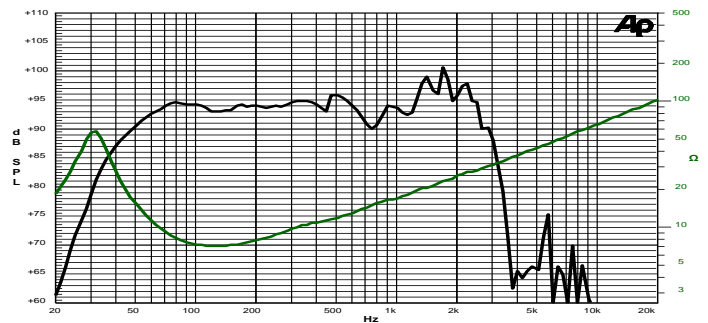
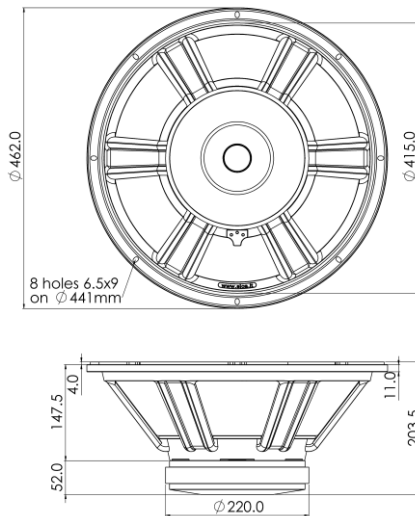
## 18 S 4 CP 8Ω

18" | 2400 W

Code Z008401

Subwoofer

- SNDW** 4" Sandwich voice coil Fiberglass former
- DCS** Double Cross Spider (DCS) with Progressive Waves
- DAR** Cloth surround with Double Asymmetric Rolls Technology (DAR)
- AWpT** Autoclave Waterproof Cone Treatment
- Ferrite** Magnet Circuit
- VMVc** Ventilated Magnet and Voice Coil to reduce Power Compression
- 97.1 dB sensitivity
- Frequency Range 30-700 Hz



Frequency Response on 150 Lt @ 38 Hz Vented Box @ 1W, 1m  
Free Air Impedance

### General Specifications

|   |              |
|---|--------------|
| Nominal Diameter                        | 463 mm (18") |
| Nominal Impedance                       | 8 Ω          |
| Rated Power AES <sup>(1)</sup>          | 1200 W       |
| Continuous Program Power <sup>(2)</sup> | 2400 W       |
| Sensitivity @ 1W/1m <sup>(3)</sup>      | 97.1 dB      |
| Voice Coil Diameter                     | 100 mm (4")  |
| Voice Coil Winding Depth                | 27 mm        |
| Magnetic Gap Depth                      | 12 mm        |
| Flux Density                            | 1.15 T       |
| Magnet Weight                           | 3300 g       |
| Net Weight                              | 14.2 kg      |

### Thiele & Small Parameters <sup>(4)</sup>

|                      |             |                      |                        |
|----------------------|-------------|----------------------|------------------------|
| Re                   | 5.2 Ω       | Fs                   | 33.0 Hz                |
| Qms                  | 3.94        | Qes                  | 0.39                   |
| Qts                  | 0.35        | Mms                  | 198.6 g                |
| Cms                  | 117 μm/N    | Bxl                  | 23.50 Tm               |
| Vas                  | 225 l       | Sd                   | 1164.2 cm <sup>2</sup> |
| X max <sup>(5)</sup> | +/- 11.0 mm | X var <sup>(6)</sup> | +/- 12.0 mm            |
| η <sub>o</sub>       | 2.01 %      | Le (1kHz)            | 1.81 mH                |

### Constructive Characteristics

|                             |                         |
|-----------------------------|-------------------------|
| Magnet                      | Ferrite                 |
| Basket Material             | Aluminium Die-Cast      |
| Voice Coil Winding Material | Copper                  |
| Voice Coil Former Material  | Fiberglass              |
| Cone Material               | Paper                   |
| Cone Treatment              | Humidity Resistant Pulp |
| Surround Material           | Treated Cloth           |
| Dust Dome Material          | Solid Paper             |

### Mounting Information

|                        |                          |
|------------------------|--------------------------|
| Overall Diameter       | 462 mm                   |
| Baffle Cutout Diameter | 417 mm                   |
| Mounting Holes         | 8 holes 6,5x9 on ø441 mm |
| Total Depth            | 203.5 mm                 |

(1) Rated Power measured with 2-hour test with pink noise signal, 6dB crest factor, loudspeaker in free air, power calculated on rated Zmin. (2) Power on Continuous Program is defined as 3dB greater than the Rated Power. (3) Calculated by Thiele & Small parameters, for SPL average in box refer to frequency response. (4) Thiele & Small parameters measured with laser system after preconditioning test. (5) Measured with respect to a THD of 10%. (6) Value corresponding to a decay of the Force Factor, or Compliance, or both, equal to the 50% of the small signal value. (7) Drawing dimensions: mm.