

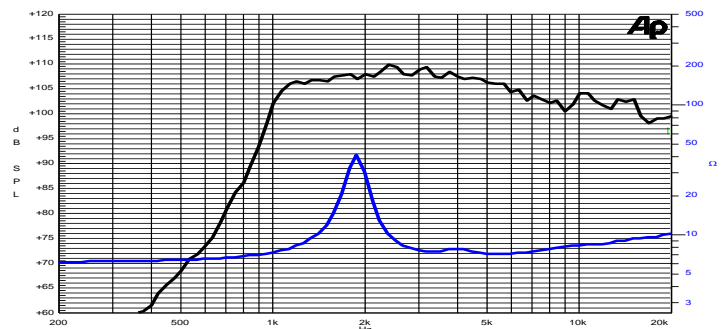
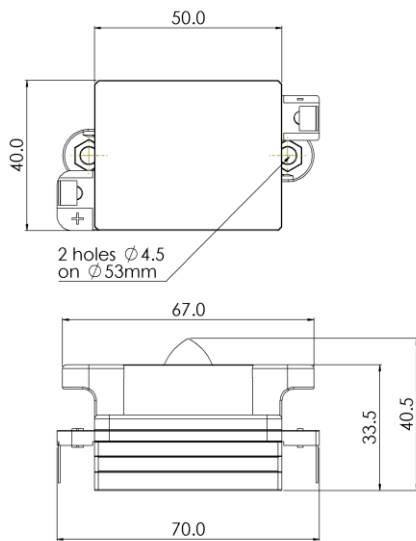
## CD 40x70.26/N35 8Ω

Compression Driver

1" | 30 W

Code Z009430

- AIFW 1" voice coil Kapton former and Aluminium Flat Wire
- Tri-Acetate diaphragm
- Neodymium Magnet Circuit
- 1" horn throat diameter
- 106.0 dB sensitivity



Free Air Frequency Response with 6x8 inches horn @ 1W, 1m Impedance (without horn)

### General Specifications

Nominal Dimensions	40x70 mm
Nominal Impedance	8 Ω
Rated Power AES <sup>(1)</sup> (2200 – 20000 Hz)	15 W
Continuous Program Power <sup>(2)</sup>	30 W
Sensitivity @ 1W/1m <sup>(3)</sup>	106.0 dB
Voice Coil Diameter	25 mm (1")
Voice Coil Winding Depth	2.1 mm
Magnetic Gap Depth	2.0 mm
Flux Density	1.72 T
DC Resistance	5.3 Ω
Resonance Frequency	1.7 kHz
Magnet Weight	38 g
Net Weight	0.2 kg
Recommended Crossover Frequency <sup>(4)</sup>	2.5 kHz
Throat Diameter	25.4 mm / 1 in

### Constructive Characteristics

Magnet	Neodymium
Voice Coil Winding Material	Aluminium Flat Wire
Voice Coil Former Material	Kapton
Diaphragm	Tri-acetate Film
Ferrofluid in Air Gap	No
Spare Part Code	Z009430-S.P.

### Mounting Information

Overall Dimensions	70x40 mm
Mounting Holes	2 holes ø4,5 on ø53 mm
Total Depth	40.5 mm

(1) Rated Power measured with 2-hour test with pink noise signal, 6dB crest factor, driver coupled to the recommended horn. (2) Power on Continuous Program is defined as 3dB greater than the Rated Power. (3) Measured at 1W,1m in axis within the frequency range, driver coupled to the recommended horn. (4) Minimum crossover frequency, 12dB/oct or higher order high-pass filter.