

LOWS: Loose/Fat
MIDS: Firm
HIGHS: Bright
OVERDRIVE: Crunchy

Sound Features:

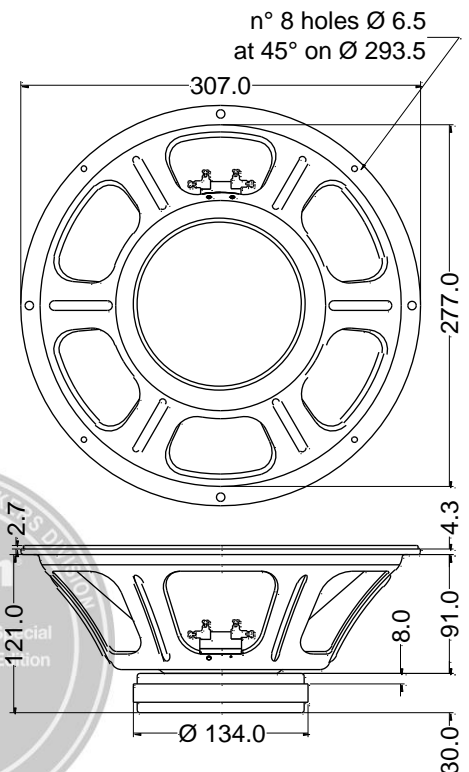
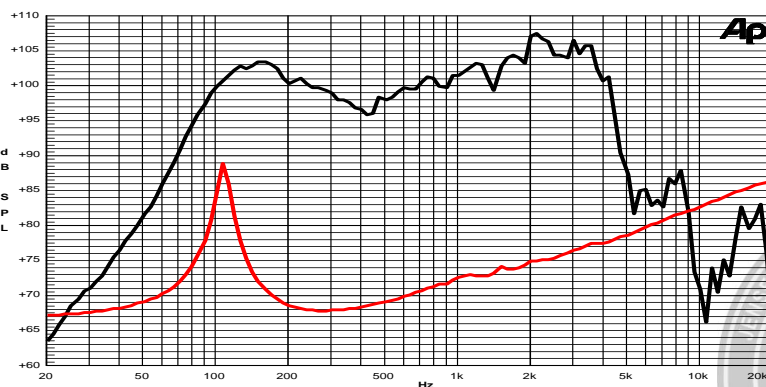
Guitarist Description:

Warm and full bodied tone with lows that are rich and fat.
 It responds to overdrive distortion with a colorful crunch.

Specifications	
Nominal Diameter	307 mm (12")
Nominal Impedance	8 Ω
Rated Power AES ⁽¹⁾	50 W
Continuous Program Power ⁽²⁾	100 W
Sensitivity @ 1W/1m	98.7 dB
Voice Coil Diameter	38 mm
Voice Coil Winding Depth	11 mm
Magnetic Gap Depth	8 mm
Flux Density	1.15 T
Magnet Weight	810 g
Net Weight	3.3 kg

Thiele & Small Parameters ⁽³⁾			
Re	5.22 Ω	Fs	107.0 Hz
Qms	9.60	Mms	31.7 g
Qts	0.86	Bxl	10.83 Tm
Cms	70 μm/N	Sd	490.9 cm ²
Vas	28.8 l	Le (1kHz)	0.78 mH

Constructive Characteristics	
Magnet	Ferrite
Basket Material	Pressed Sheet Steel
Voice Coil Winding Material	Copper
Voice Coil Former Material	Kapton
Cone Material	Paper
Surround Treatment	Yes
Surround Material	Paper - Integrated
Dust Dome Material	Non Treated Cloth



- Note:
- 1: Rated Power measured with 2 hours test with pink noise signal, 6dB crest factor, loudspeaker mounted on enclosure
 - 2: Power on Continuous Program is defined as 3 dB greater than the Rated Power
 - 3: Thiele & Small parameters measured with laser system without preconditioning test
 - 4: Drawing dimensions: mm
 - 5: The notch around 400Hz on the frequency response is typical of the measurement on IEC baffle