

Jensen®

loudspeakers

Vintage AlNiCo

P 6 V 8Ω
Code ZJ03040
6" 20W

LOWS:
Tight

MIDS:
Firm

HIGHS:
Bright

OVERDRIVE:
Edgy

Sound Features:

Guitarist Description:

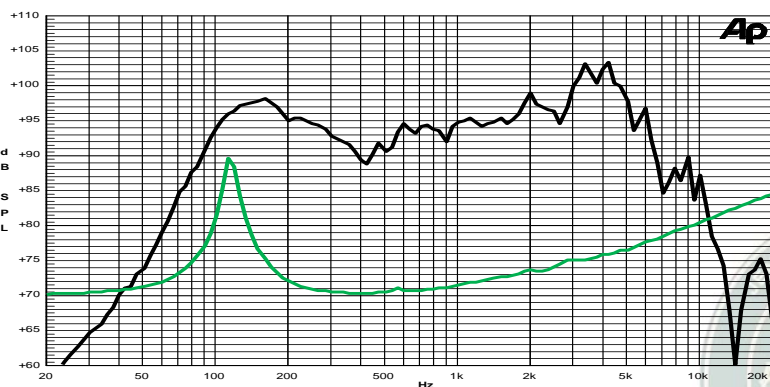
Warm clean tone with sparkling highs. It responds to overdrive distortion with a gritty bite.



| Specifications | |
|---|-------------|
| Nominal Diameter | 165 mm (6") |
| Nominal Impedance | 8 Ω |
| Rated Power AES ⁽¹⁾ | 20 W |
| Continuous Program Power ⁽²⁾ | 40 W |
| Sensitivity @ 1W/1m | 91.9 dB |
| Voice Coil Diameter | 25 mm |
| Voice Coil Winding Depth | 7 mm |
| Magnetic Gap Depth | 5 mm |
| Flux Density | 1.00 T |
| Magnet Weight | 118 g |
| Net Weight | 0.7 kg |

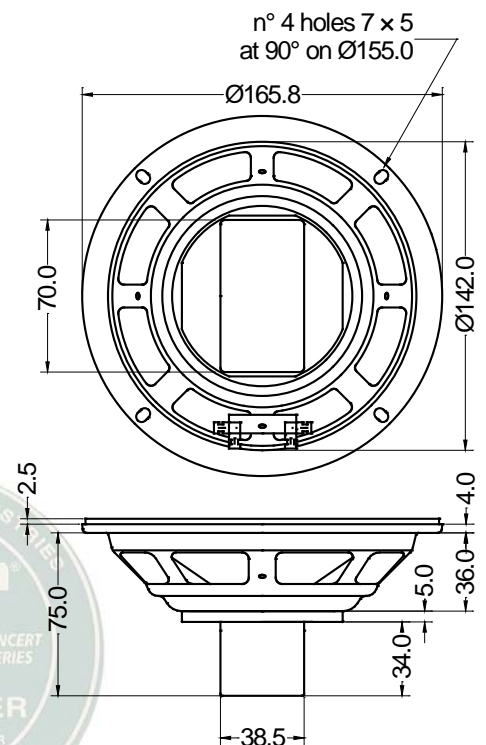
| Thiele & Small Parameters ⁽³⁾ | | | |
|--|----------|-----------|-----------------------|
| Re | 6.54 Ω | Fs | 110.0 Hz |
| Qms | 10.52 | Mms | 6.7 g |
| Qts | 0.99 | Bxl | 5.29 Tm |
| Cms | 310 μm/N | Sd | 122.7 cm ² |
| Vas | 6.6 l | Le (1kHz) | 0.40 mH |

| Constructive Characteristics | |
|------------------------------|---------------------|
| Magnet | AlNiCo |
| Basket Material | Pressed Sheet Steel |
| Voice Coil Winding Material | Copper |
| Voice Coil Former Material | Epotex |
| Cone Material | Paper |
| Surround Treatment | Yes |
| Surround Material | Paper - Integrated |
| Dust Dome Material | Non Treated Cloth |



Note:

- 1: Rated Power measured with 2 hours test with pink noise signal, 6dB crest factor, loudspeaker mounted on enclosure
- 2: Power on Continuous Program is defined as 3 dB greater than the Rated Power
- 3: Thiele & Small parameters measured with laser system without preconditioning test
- 4: Drawing dimensions: mm
- 5: The notch around 400Hz on the frequency response is typical of the measurement on IEC baffle



30/01/15