

18 S 4 PL 8Ω

18" | 2400 W

Code Z008405

SNDW 4" Sandwich voice coil Fiberglass former

DCSP Double Cross Spider (DCS) with Progressive Waves

DAR Cloth surround with Double Asymmetric Rolls Technology (DAR)

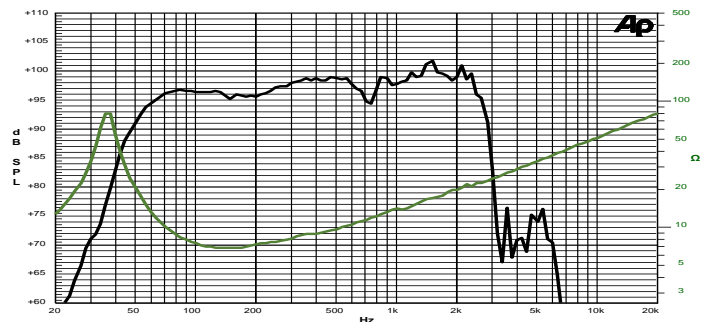
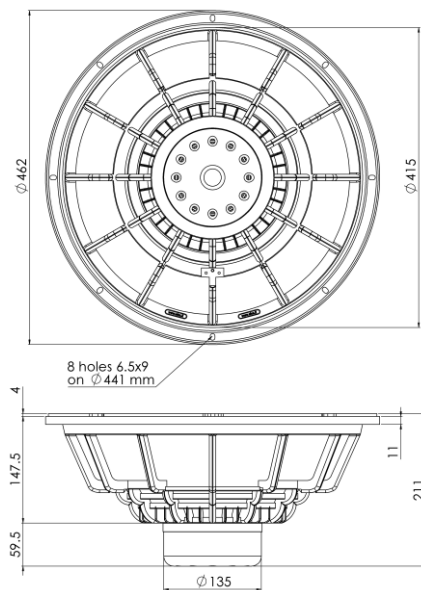
AWpT Autoclave Waterproof Cone Treatment

Neodymium Magnet Circuit

VM Ventilated Magnet to reduce Power Compression

97.3 dB sensitivity

Frequency Range 35-700 Hz



Frequency Response on 150 Lt @ 45 Hz Vented Box @ 1W, 1m
Free Air Impedance

General Specifications

Nominal Diameter	462 mm (18")
Nominal Impedance	8 Ω
Rated Power AES ⁽¹⁾	1200 W
Continuous Program Power ⁽²⁾	2400 W
Sensitivity @ 1W/1m ⁽³⁾	97.3 dB
Voice Coil Diameter	100 mm (4")
Voice Coil Winding Depth	27 mm
Magnetic Gap Depth	12 mm
Flux Density	1.21 T
Magnet Weight	536 g
Net Weight	8.3 kg

Thiele & Small Parameters ⁽⁴⁾

Re	5.2 Ω	Fs	36.2 Hz
Qms	6.56	Qes	0.42
Qts	0.39	Mms	197.0 g
Cms	98 μm/N	Bxl	23.54 Tm
Vas	189.0 l	Sd	1164.2 cm ²
X max ⁽⁵⁾	+/-8.0 mm	X var ⁽⁶⁾	+/-10.1 mm
η ₀	2.07 %	Le (1kHz)	1.35 mH

Constructive Characteristics

Magnet	Neodymium
Basket Material	Aluminium Die-Cast
Voice Coil Winding Material	Copper
Voice Coil Former Material	Fiberglass
Cone Material	Paper
Cone Treatment	Humidity Resistant Pulp
Surround Material	Treated Cloth
Dust Dome Material	Solid Paper

Mounting Information

Overall Diameter	462 mm
Baffle Cutout Diameter	417 mm
Mounting Holes	8 holes 6,5x9 on ø441 mm
Total Depth	211 mm

(1) Rated Power measured with 2-hour test with pink noise signal, 6dB crest factor, loudspeaker in free air, power calculated on rated Zmin. (2) Power on Continuous Program is defined as 3dB greater than the Rated Power. (3) Calculated by Thiele & Small parameters, for SPL average in box refer to frequency response. (4) Thiele & Small parameters measured with laser system after preconditioning test. (5) Measured with respect to a THD of 10%. (6) Value corresponding to a decay of the Force Factor, or Compliance, or both, equal to the 50% of the small signal value. (7) Drawing dimensions: mm.