

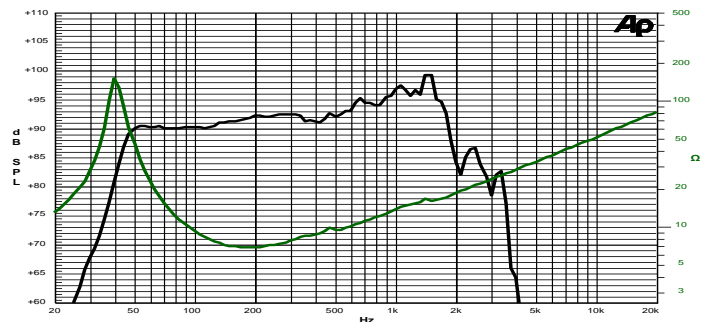
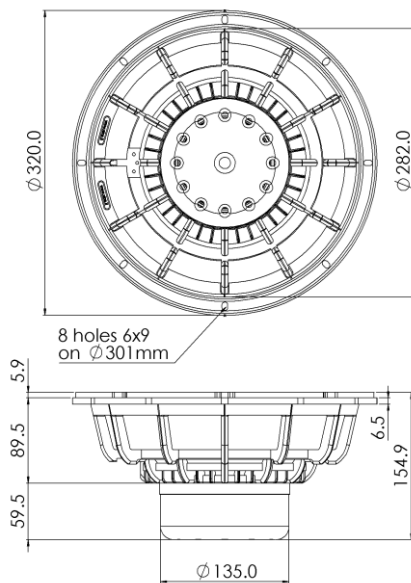
12 PNS 4 8Ω

12" | 2000 W

Code Z007957

Subwoofer

- SNDW** 4" Sandwich voice coil Fiberglass former
- DCS** Double Cross Spider (DCS)
- TR** Triple Roll Cloth surround
- TWpT** Total Waterproof Cone Treatment
- Neodymium Magnet Circuit**
- VMVc** Ventilated Magnet and Voice Coil to reduce Power Compression
- 94.5 dB sensitivity
- Frequency Range 40-2000 Hz



Frequency Response on 60 Lt @ 45 Hz Vented Box @ 1W, 1m
Free Air Impedance

General Specifications

Nominal Diameter	320 mm (12")
Nominal Impedance	8 Ω
Rated Power AES ⁽¹⁾	1000 W
Continuous Program Power ⁽²⁾	2000 W
Sensitivity @ 1W/1m ⁽³⁾	94.5 dB
Voice Coil Diameter	100 mm (4")
Voice Coil Winding Depth	27 mm
Magnetic Gap Depth	12 mm
Flux Density	1.21 T
Magnet Weight	536 g
Net Weight	6.6 kg

Thiele & Small Parameters ⁽⁴⁾

Re	5.2 Ω	Fs	41.7 Hz
Qms	12.63	Qes	0.32
Qts	0.31	Mms	115.9 g
Cms	126 μm/N	Bxl	22.30 Tm
Vas	50.2 l	Sd	530.9 cm ²
X max ⁽⁵⁾	+/-9.5 mm	X var ⁽⁶⁾	+/-11.0 mm
η _o	1.10 %	Le (1kHz)	1.30 mH

Constructive Characteristics

Magnet	Neodymium
Basket Material	Aluminium Die-Cast
Voice Coil Winding Material	Copper
Voice Coil Former Material	Fiberglass
Cone Material	Paper
Cone Treatment	Total Waterproof Treatment
Surround Material	Treated Cloth
Dust Dome Material	Solid Paper

Mounting Information

Overall Diameter	320 mm
Baffle Cutout Diameter	284 mm
Mounting Holes	8 holes 6x9 on ø301 mm
Total Depth	154.9 mm

⁽¹⁾ Rated Power measured with 2-hour test with pink noise signal, 6dB crest factor, loudspeaker in free air, power calculated on rated Zmin. ⁽²⁾ Power on Continuous Program is defined as 3dB greater than the Rated Power. ⁽³⁾ Calculated by Thiele & Small parameters, for SPL average in box refer to frequency response. ⁽⁴⁾ Thiele & Small parameters measured with laser system after preconditioning test. ⁽⁵⁾ Measured with respect to a THD of 10%. ⁽⁶⁾ Value corresponding to a decay of the Force Factor, or Compliance, or both, equal to the 50% of the small signal value. ⁽⁷⁾ Drawing dimensions: mm.