

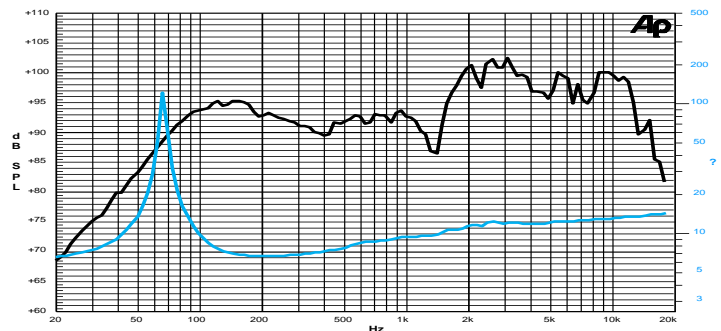
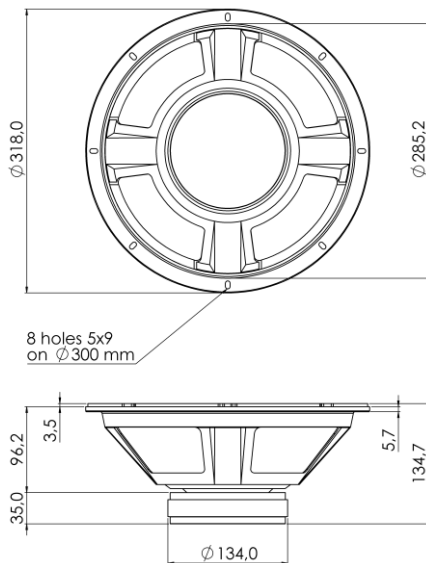
12 D 1,5 CS 8Ω

12" | 260 W

Code Z007360

Dual Cone

- 1,5" voice coil Kapton former
- Dual Cone
- CDR Ferrite Magnet Circuit with Copper Demodulating Ring
- 96.9 dB sensitivity
- Frequency Range 65-15000 Hz



Frequency Response on 45 Lt @ 55 Hz Vented Box @ 1W, 1m
Free Air Impedance

General Specifications

Nominal Diameter	318 mm (12")	
Nominal Impedance	8 Ω	
Rated Power AES ⁽¹⁾	130 W	
Continuous Program Power ⁽²⁾	260 W	
Sensitivity @ 1W/1m ⁽³⁾	96.9 dB	
Voice Coil Diameter	38 mm (1,5")	
Voice Coil Winding Depth	9 mm	
Magnetic Gap Depth	8 mm	
Flux Density	1.21 T	
Magnet Weight	1100 g	
Net Weight	3.7 kg	

Thiele & Small Parameters ⁽⁴⁾

R_e	5.1 Ω	F_s	62.0 Hz
Q_{ms}	18.30	Q_{es}	0.78
Q_{ts}	0.75	M_{ms}	35.5 g
C_{ms}	186 μm/N	B_{xl}	9.51 Tm
V_{as}	63.5 l	S_d	490.9 cm ²
$X_{max}^{(5)}$	+/-2.7 mm	$X_{var}^{(6)}$	+/-5.0 mm
η_0	1.87 %	L_e (1kHz)	0.35 mH

Constructive Characteristics

Magnet	Ferrite
Basket Material	Pressed Sheet Steel
Voice Coil Winding Material	Copper
Voice Coil Former Material	Kapton
Cone Material	Paper
Cone Treatment	No
Surround Material	Paper - Integrated
Dust Dome Material	Non Treated Cloth

Mounting Information

Overall Diameter	318 mm
Baffle Cutout Diameter	287 mm
Mounting Holes	8 holes 5x9 on ø300 mm
Total Depth	134.7 mm

⁽¹⁾ Rated Power measured with 2-hour test with pink noise signal, 6dB crest factor, loudspeaker in free air, power calculated on rated Zmin. ⁽²⁾ Power on Continuous Program is defined as 3dB greater than the Rated Power. ⁽³⁾ Calculated by Thiele & Small parameters, for SPL average in box refer to frequency response. ⁽⁴⁾ Thiele & Small parameters measured with laser system after preconditioning test. ⁽⁵⁾ Measured with respect to a THD of 10%. ⁽⁶⁾ Value corresponding to a decay of the Force Factor, or Compliance, or both, equal to the 50% of the small signal value. ⁽⁷⁾ Drawing dimensions: mm.