

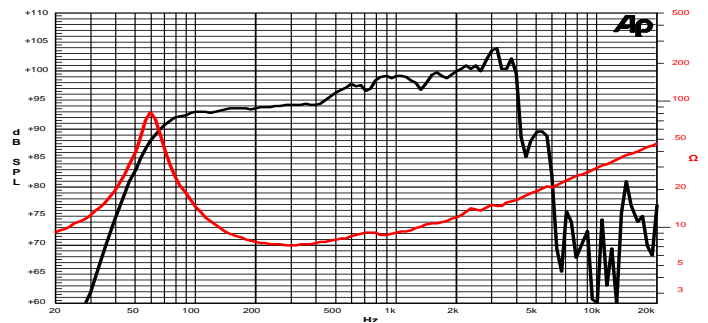
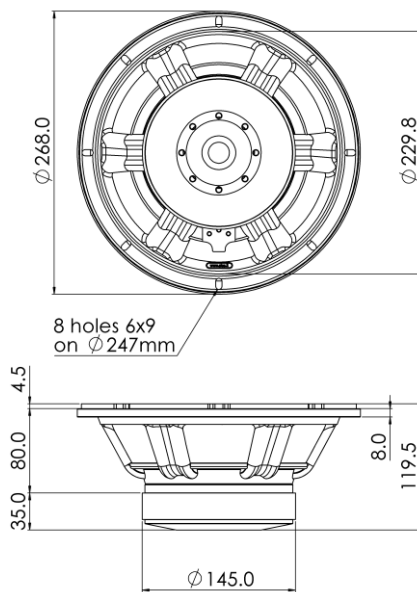
10 Fe 2,5 CP 8Ω

10" | 600 W

Code Z005710

Professional

- 2,5"** voice coil Fiberglass former and Aluminium Winding
- PS** Spider with Progressive Waves
- DAR** Cloth surround with Double Asymmetric Rolls Technology (DAR)
- WpT** Waterproof Cone Treatment
- BMF** Balanced Ferrite Magnet Circuit with Aluminium Demodulating Ring
- VMVc** Ventilated Magnet and Voice Coil to reduce Power Compression
- 96.1 dB** sensitivity
- Frequency Range** 55-3500 Hz



Frequency Response on 35 Lt @ 60 Hz Vented Box @ 1W, 1m
Free Air Impedance

General Specifications

Nominal Diameter	269 mm (10")
Nominal Impedance	8 Ω
Rated Power AES ⁽¹⁾	300 W
Continuous Program Power ⁽²⁾	600 W
Sensitivity @ 1W/1m ⁽³⁾	96.1 dB
Voice Coil Diameter	65 mm (2,5")
Voice Coil Winding Depth	12 mm
Magnetic Gap Depth	8 mm
Flux Density	1.17 T
Magnet Weight	1430 g
Net Weight	4.6 kg

Thiele & Small Parameters ⁽⁴⁾

Re	5.6 Ω	Fs	58.5 Hz
Qms	6.52	Qes	0.41
Qts	0.38	Mms	34.4 g
Cms	215 μm/N	Bxl	13.15 Tm
Vas	36.7 l	Sd	346.4 cm ²
X max ⁽⁵⁾	+/-4.0 mm	X var ⁽⁶⁾	+/-7.0 mm
η _o	1.73 %	Le (1kHz)	0.46 mH

Constructive Characteristics

Magnet	Ferrite
Basket Material	Aluminium Die-Cast
Voice Coil Winding Material	Aluminium
Voice Coil Former Material	Fiberglass
Cone Material	Paper
Cone Treatment	Surface Waterproof Treatment
Surround Material	Treated Cloth
Dust Dome Material	Solid Paper

Mounting Information

Overall Diameter	268 mm
Baffle Cutout Diameter	232 mm
Mounting Holes	8 holes 6x9 on ø247 mm
Total Depth	119.5 mm

⁽¹⁾ Rated Power measured with 2-hour test with pink noise signal, 6dB crest factor, loudspeaker in free air, power calculated on rated Zmin. ⁽²⁾ Power on Continuous Program is defined as 3dB greater than the Rated Power. ⁽³⁾ Calculated by Thiele & Small parameters, for SPL average in box refer to frequency response. ⁽⁴⁾ Thiele & Small parameters measured with laser system after preconditioning test. ⁽⁵⁾ Measured with respect to a THD of 10%. ⁽⁶⁾ Value corresponding to a decay of the Force Factor, or Compliance, or both, equal to the 50% of the small signal value. ⁽⁷⁾ Drawing dimensions: mm.