

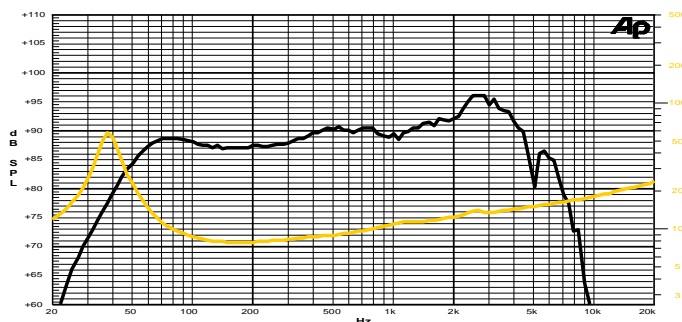
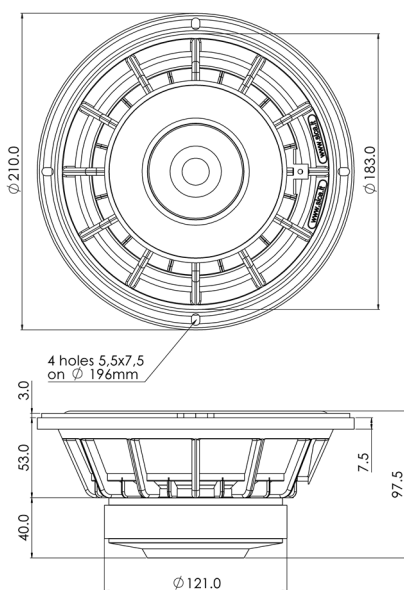
8 H 2 CP 8Ω

Studio Monitor

8" | 400 W

Code Z005158

- 2" 2" voice coil Kapton former
- PS Spider with Progressive Waves
- DT Damping Cone Treatment
- CDR Balanced Ferrite Magnet Circuit with Copper Demodulating Ring
- VM Ventilated Magnet to reduce Power Compression
- 88.8 dB sensitivity
- Frequency Range 35-3000 Hz



Frequency Response on Vented Box @ 1W, 1m
Free Air Impedance

General Specifications

Nominal Diameter	210 mm (8")
Nominal Impedance	8 Ω
Rated Power AES ⁽¹⁾	200 W
Continuous Program Power ⁽²⁾	400 W
Sensitivity @ 1W/1m ⁽³⁾	88.8 dB
Voice Coil Diameter	50 mm (2")
Voice Coil Winding Depth	18 mm
Magnetic Gap Depth	5 mm
Flux Density	0.98 T
Magnet Weight	930 g
Net Weight	2.6 kg

Thiele & Small Parameters⁽⁴⁾

Re	6.1 Ω	Fs	38.0 Hz
Qms	5.25	Qes	0.53
Qts	0.48	Mms	32.7 g
Cms	536 μm/N	Bxl	9.45 Tm
Vas	34.8 l	Sd	213.8 cm ²
X max ⁽⁵⁾	+/-6.5 mm	X var ⁽⁶⁾	+/-9.0 mm
η _o	0.35 %	Le (1kHz)	0.59 mH

Constructive Characteristics

Magnet	Ferrite
Basket Material	Aluminium Die-Cast
Voice Coil Winding Material	Copper
Voice Coil Former Material	Kapton
Cone Material	Paper
Cone Treatment	Surface Damping Treatment
Surround Material	Rubber
Dust Dome Material	Rubber

Mounting Information

Overall Diameter	210 mm
Baffle Cutout Diameter	184 mm
Mounting Holes	4 holes 5,5x7,5 on ø196 mm
Total Depth	97.5 mm

(1) Rated Power measured with 2-hour test with pink noise signal, 6dB crest factor, loudspeaker in free air, power calculated on rated Zmin. (2) Power on Continuous Program is defined as 3dB greater than the Rated Power. (3) Calculated by Thiele & Small parameters, for SPL average in box refer to frequency response. (4) Thiele & Small parameters measured with laser system after preconditioning test. (5) Measured with respect to a THD of 10%. (6) Value corresponding to a decay of the Force Factor, or Compliance, or both, equal to the 50% of the small signal value. (7) Drawing dimensions: mm.