

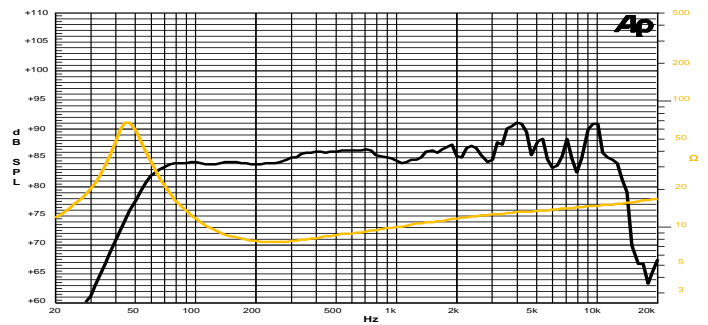
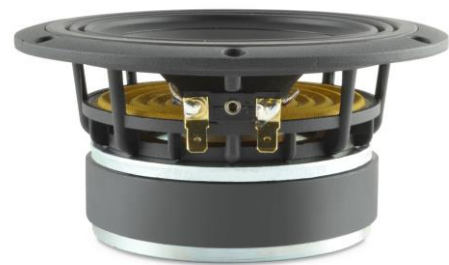
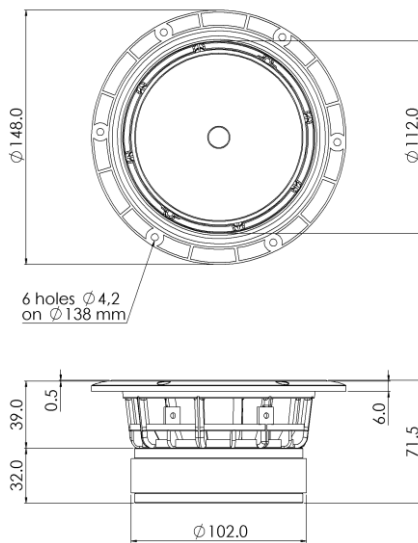
5,5 H 1,5 CP 8Ω

5,5" | 240 W

Code Z002800

Studio Monitor

- 1,5" voice coil Kapton former
- DAR Rubber surround with Double Asymmetric Rolls Technology (DAR)
- DT Damping Cone Treatment
- CDR Ferrite Magnet Circuit with Copper Demodulating Ring
- VM Ventilated Magnet to reduce Power Compression
- 86.9 dB sensitivity
- Frequency Range 48-5500 Hz



Frequency Response on 10 Lt @ 55 Hz Vented Box @ 1W, 1m
Free Air Impedance

General Specifications

Nominal Diameter	140 mm (5,5")
Nominal Impedance	8 Ω
Rated Power AES ⁽¹⁾	120 W
Continuous Program Power ⁽²⁾	240 W
Sensitivity @ 1W/1m ⁽³⁾	86.9 dB
Voice Coil Diameter	38 mm (1,5")
Voice Coil Winding Depth	15 mm
Magnetic Gap Depth	6 mm
Flux Density	0.98 T
Magnet Weight	515 g
Net Weight	1.5 kg

Thiele & Small Parameters⁽⁴⁾

Re	6.1 Ω	Fs	48.0 Hz
Qms	4.07	Qes	0.40
Qts	0.37	Mms	11.4 g
Cms	1016 μm/N	Bxl	7.22 Tm
Vas	8.4 l	Sd	78.5 cm ²
X max ⁽⁵⁾	+/-4.5 mm	X var ⁽⁶⁾	+/-6.5 mm
η ₀	0.24 %	Le (1kHz)	0.53 mH

Constructive Characteristics

Magnet	Ferrite
Basket Material	Aluminium Die-Cast
Voice Coil Winding Material	Copper
Voice Coil Former Material	Kapton
Cone Material	Paper
Cone Treatment	Surface Damping Treatment
Surround Material	Rubber
Dust Dome Material	Solid Paper

Mounting Information

Overall Diameter	148 mm
Baffle Cutout Diameter	113 mm
Mounting Holes	6 holes ø4,2 on ø138 mm
Total Depth	71.5 mm

(1) Rated Power measured with 2-hour test with pink noise signal, 6dB crest factor, loudspeaker in free air, power calculated on rated Zmin. (2) Power on Continuous Program is defined as 3dB greater than the Rated Power. (3) Calculated by Thiele & Small parameters, for SPL average in box refer to frequency response. (4) Thiele & Small parameters measured with laser system after preconditioning test. (5) Measured with respect to a THD of 10%. (6) Value corresponding to a decay of the Force Factor, or Compliance, or both, equal to the 50% of the small signal value. (7) Drawing dimensions: mm.