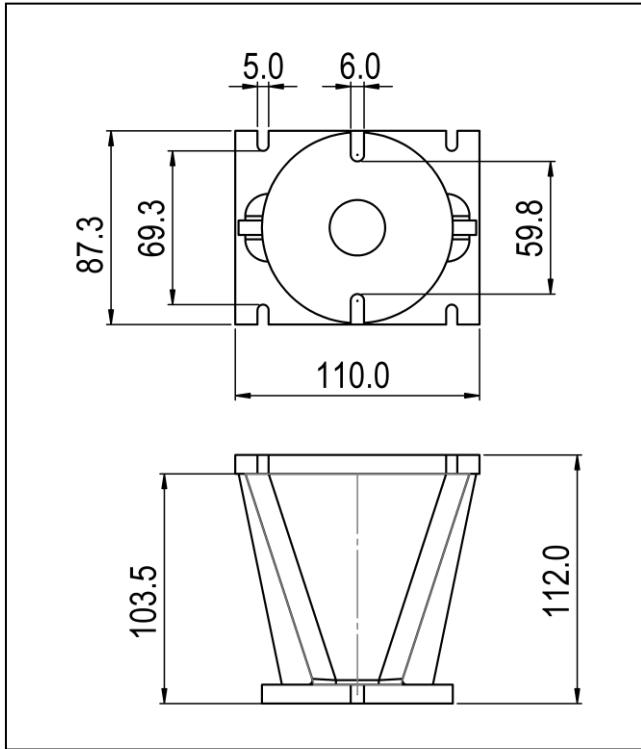
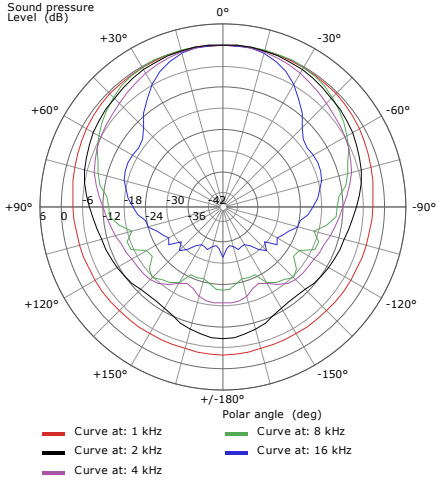


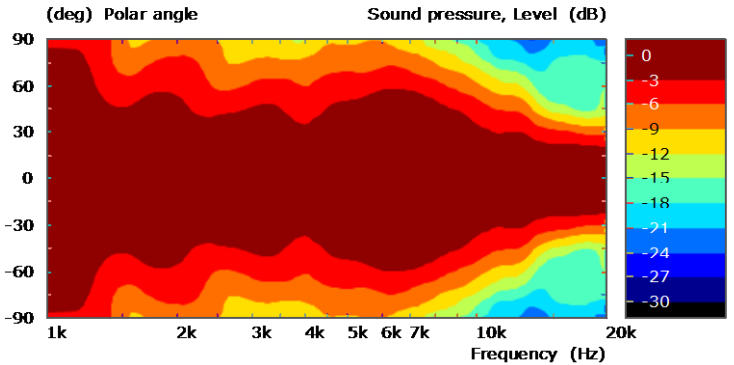
SPECIFICATIONS	
Throat Diameter	25.4 mm (1")
Cutoff Frequency	1.0 kHz
Net Weightl.....	Kg
Horizontal coverage	140°
Vertical coverage	°
Material	Plastic
MOUNTING INFORMATION	
Overall Dimensions	87x110x112 mm
Baffle Cutout Dimensions.....	Φ225x225 mm
Mounting Holes.....	8 holes Φ5.8 mm
NOTE	



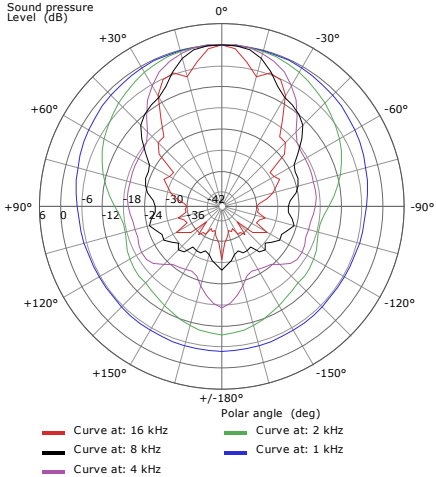
Q07050A - Horizontal Polar Pattern



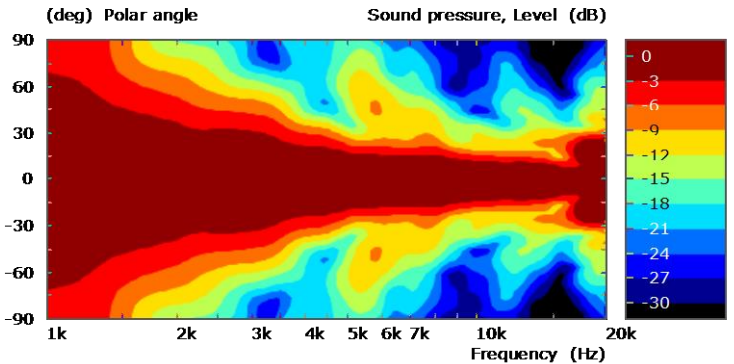
Q07050A - Horizontal Polar Pattern



Q07050A - Vertical Polar Pattern



Q07050A - Vertical Polar Pattern



Due to continuing product improvement, the features and the design are subject to change without notice.

26/07/17