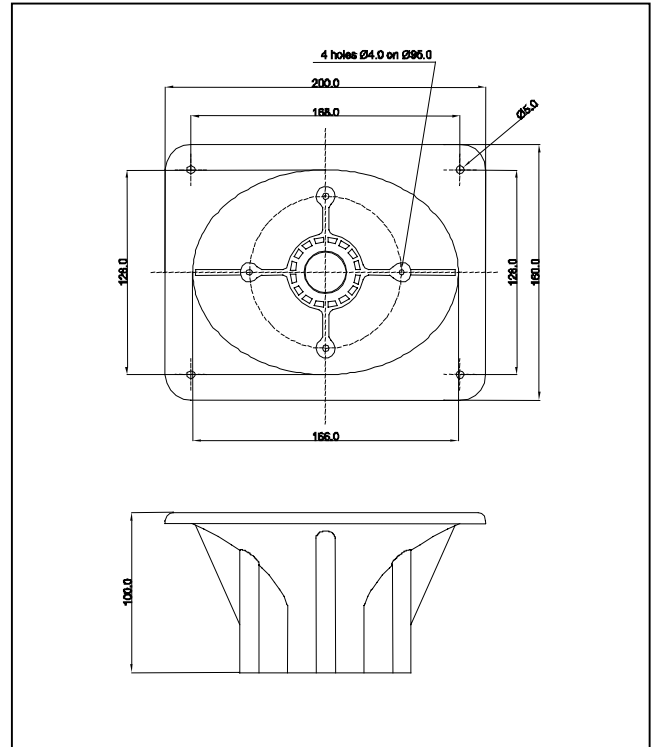
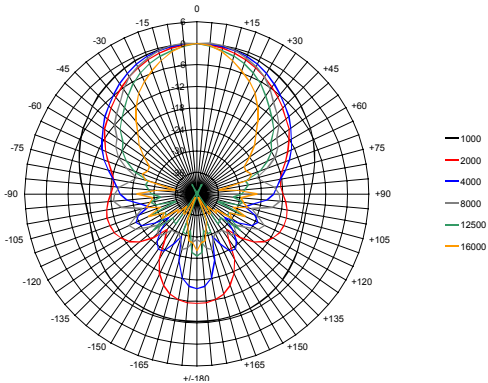


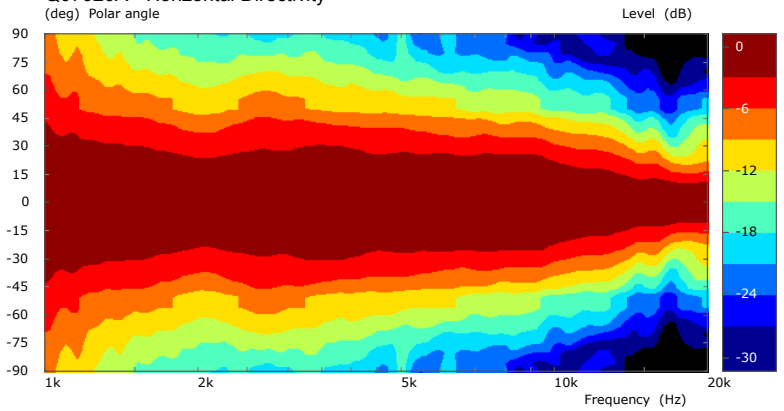
SPECIFICATIONS		
Throat Diameter	25.4	mm (1")
Cutoff Frequency	1.50	kHz
Net Weightl	0.30	Kg
Horizontal coverage	90°	
Vertical coverage	60°	
Material.....	Plastic	
Shape	Elliptic	
MOUNTING INFORMATION		
Overall Dimensions	200x160x100 mm	
Baffle Cutout Dimensions.....	167x129 mm	
Mounting Holes	4 holes Φ 5.0 mm	
NOTE		



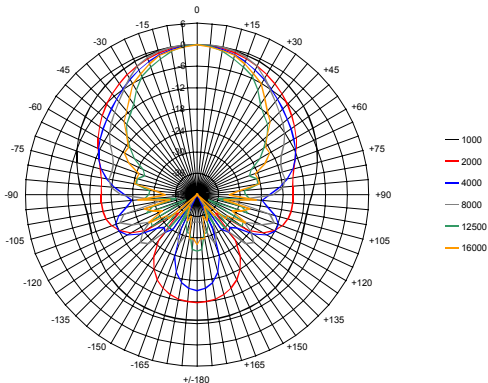
Q07020A Horizontal Polar Pattern



Q07020A - Horizontal Directivity



Q07020A Vertical Polar Pattern



Q07020A - Vertical Directivity

